



THE UNIVERSITY *of* EDINBURGH

Edinburgh Research Explorer

Analysis of PAPR in optical OFDM systems with grouped LEDs

Citation for published version:

Offiong, FB, Popoola, WO & Sinanović, S 2017, 'Analysis of PAPR in optical OFDM systems with grouped LEDs', *Optik - International Journal for Light and Electron Optics*, vol. 151, pp. 48-54.
<https://doi.org/10.1016/j.ijleo.2017.08.001>

Digital Object Identifier (DOI):

[10.1016/j.ijleo.2017.08.001](https://doi.org/10.1016/j.ijleo.2017.08.001)

Link:

[Link to publication record in Edinburgh Research Explorer](#)

Document Version:

Peer reviewed version

Published In:

Optik - International Journal for Light and Electron Optics

General rights

Copyright for the publications made accessible via the Edinburgh Research Explorer is retained by the author(s) and / or other copyright owners and it is a condition of accessing these publications that users recognise and abide by the legal requirements associated with these rights.

Take down policy

The University of Edinburgh has made every reasonable effort to ensure that Edinburgh Research Explorer content complies with UK legislation. If you believe that the public display of this file breaches copyright please contact openaccess@ed.ac.uk providing details, and we will remove access to the work immediately and investigate your claim.



Analysis of PAPR in Optical OFDM Systems with Grouped LEDs

*Funmilayo B. Offiong, Wasiu O. Popoola, Sinan Sinanović,

Abstract

The need for multiple transmit chains poses a major challenge in optical orthogonal frequency division multiplexing (OFDM) system utilising grouped light emitting diodes (LEDs) for the purpose of peak-to-average power ratio (PAPR) reduction. Thus, recent study propose the use of pilot-assisted (PA) electrical PAPR reduction technique to further reduce PAPR and limit the number of transmit chains in the system. This paper presents the application of order statistics to derive the analytical solutions of PAPR distributions in the PA optical OFDM system utilising grouped LEDs. It is shown that the results obtained via analysis are in good agreement with that of computer simulations.

Keywords: Optical OFDM; grouped LEDs; PAPR reduction analysis; pilot symbol; order statistics.

1. Introduction

Wireless data communication traffic is witnessing exponential growth primarily due to increase in the number of subscribers and smart portable devices per subscriber [1]. This rate of growth implies challenges for existing radio frequency (RF) communication system to meet high traffic demands. A potential solution to complement existing RF is the use of optical wireless communications (OWC) [2]. The prospect of OWC using visible part of the spectrum, called visible light communication (VLC), to meet high data rate demands has been

*Corresponding author
Email address: fboffiong@ieee.org ()

1
2
3
4
5
6
7
8
9 demonstrated in [3] using orthogonal frequency division multiplexing (OFDM)
10 transmission technique. Spectrally efficient optical OFDM (O-OFDM) will con-
11 tinue to gain popularity in VLC due to its ability to maximise the use of limited
12 modulated bandwidth of light emitting diodes (LEDs) [4]. However, the prob-
13 lem of high peak-to-average power ratio (PAPR) must be mitigated in O-OFDM
14 in order to fully exploit the huge spectrum resources available for use in VLC.
15
16

17
18 The dynamic range of LEDs is limited [5]. This limitation makes it chal-
19 lenging to modulate the full amplitude swings of signal with high peaks on LED
20 intensity without clipping. As a result, the clipping causes signal distortion
21 which degrades the error performance of the signal. Significant research effort is
22 being directed towards the PAPR reduction technique in O-OFDM. Among the
23 techniques is the use of post-coding scheme based on discrete cosine transform
24 (DCT) implemented after the inverse fast Fourier transform (IFFT) operation to
25 reduce the PAPR of O-OFDM signals [6]. Embedding pilot symbol in the origi-
26 nal O-OFDM signal in frequency domain for the purpose of PAPR reduction is
27 proposed in [4]. Another method that generates series of Toeplitz matrix using
28 the time domain signal out of which the O-OFDM signal with the lowest PAPR
29 is selected for transmission is presented in [7]. Authors in [8, 9, 10] proposed
30 spatial domain O-OFDM utilising grouped LEDs as a means of transmitting
31 O-OFDM signal with reduced peaks.
32
33

34
35 It is a common practice to illuminate an indoor environment with panels
36 of luminaire having multiple LEDs for sufficient and uniform illumination [11].
37 Thus, the spatial domain O-OFDM approach takes advantage of the multiple
38 LEDs to mitigate some of the existing problems of O-OFDM in VLC [8, 9,
39 10]. O-OFDM signal achieved via spatial summing involves partitioning the
40 subcarriers for transmission over different groups of LEDs. However, the number
41 of transmit chains increases as the number of LED groups increases. Thus,
42 study reported in [12, 13] proposed the use of pilot-assisted (PA) electrical
43 PAPR reduction technique to further reduce PAPR and limit the number of
44 transmit chains in the system. While PA O-OFDM system using grouped LEDs
45 is investigated in [12, 13], a quantitative analysis of its PAPR distributions has
46
47
48
49
50
51
52
53
54
55
56
57
58
59
60
61
62
63
64
65

1
2
3
4
5
6
7
8
9 never been reported in literature. The theoretical work presented in [14] is based
10 on PAPR distributions of the PA O-OFDM signal

11
12 In this work, we extend the study of the PA technique in spatial domain
13 O-OFDM utilising grouped LEDs to theoretically characterise the PAPR distri-
14 butions and PAPR reduction gain using order statistics. Application of order
15 statistics as analytical tool has been reported in varieties of fields ranging from
16 life sciences to radio frequency (RF) wireless communications [15]. Areas where
17 order statistics have been applied in RF wireless systems include transmission
18 and reception techniques involving diversity combining, multiuser scheduling
19 and channel adaptation in multiple-input-multiple-output (MIMO) and OFDM
20 [15]. In this paper, we apply order statistics to quantify the PAPR distributions
21 of the PA O-OFDM utilising grouped LEDs. Closed-form result of the PAPR
22 distributions of the technique is presented using the complementary cumulative
23 distribution function (CCDF), which gives the probability of a PAPR value ex-
24 ceeding a certain threshold level, y . PAPR is an important metric of interest
25 employed in an OFDM system for estimating the dynamic range of the digital-
26 to-analog converter (DAC) [16]. Thus, theoretical framework of the electrical
27 PAPR distributions in PA O-OFDM will serve as a guideline for implementation
28 of the technique in multiple LEDs systems.

29
30 The analytical framework for evaluating the PAPR distributions and PAPR
31 reduction gain using order statistics is validated with computer simulation.
32 Moreover, this work will include the comparison of the PA technique in O-
33 OFDM using multiple LEDs analytical solutions with the basic O-OFDM coun-
34 terpart where PA technique is not implemented.

35
36 The rest of this paper is organized as follows: Section 2 provides a review of
37 the PA O-OFDM system utilising grouped LEDs. Section 3 presents the analysis
38 of the system. Results comparing performance of the PA O-OFDM system
39 utilising grouped LEDs with its basic O-OFDM counterpart are presented in 4.
40 Finally, Section 5 concludes the paper.

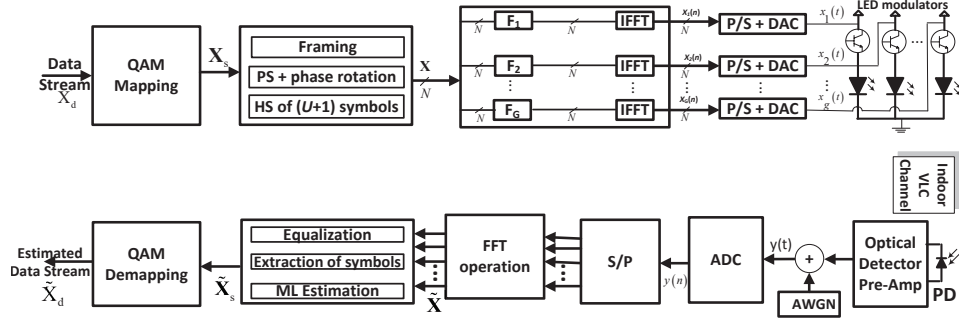


Figure 1: Block diagram illustrating the architecture of the pilot-assisted O-OFDM system with multiple LED groups. PS: pilot symbol, HS: Hermitian symmetry, P/S: Parallel-to-serial, S/P: serial-to-parallel, ADC: analog-to-digital converter, ML: Maximum likelihood

2. Review of the Pilot-assisted O-OFDM System with Grouped LEDs

Figure 1 shows the schematic block diagram of the PA O-OFDM utilising grouped LEDs with $g = 1, 2, \dots, G$ LED arrays used as the transmitters. One method of implementing O-OFDM is to load quadrature amplitude modulated (QAM) complex data symbols onto IFFT subcarriers. In the illustrated system, these subcarriers are partitioned such that the g^{th} LED array transmits subset of the subcarriers. This partitioning is done with the use of G filtering blocks within the system [9]. Thus, the same signal modulates the intensities of LED arrays in the g^{th} group with each group having a separate driver.

Let X_d be the data stream intended for transmission. Data sequence X_d is converted from serial to parallel and mapped onto QAM symbols. The complex QAM data symbols form a frame $X_s^u(i)$, $i = 1, 2, \dots, n_s$, $u = 1, 2, \dots, U$, with n_s being the number of active data-carrying subcarriers while U represents the O-OFDM symbols in the frame. The procedure is followed by generation of random sequence of pilot signal $X_p(i)$, $i = 1, 2, \dots, n_s$. Signal X_p used in rotating the phase of the X_s^u data symbols. Thus, the frame size changes from U to $U + 1$ due to the concatenation of the pilot signal. The phase rotation

procedure can be defined in (1) as:

$$\mathbf{X}_{\text{sp}} = \begin{pmatrix} a_{11}/\theta_{11} + \theta_{1p} & \cdots & a_{1u}/\theta_{1u} + \theta_{1p} & \cdots & a_{1U}/\theta_{1U} + \theta_{1p} & 1/\theta_{1p} \\ a_{21}/\theta_{21} + \theta_{2p} & \cdots & a_{2u}/\theta_{2u} + \theta_{2p} & \cdots & a_{2U}/\theta_{2U} + \theta_{2p} & 1/\theta_{2p} \\ \vdots & \vdots & \vdots & \vdots & \vdots & \vdots \\ a_{i1}/\theta_{i1} + \theta_{ip} & \cdots & a_{iu}/\theta_{iu} + \theta_{ip} & \cdots & a_{iU}/\theta_{iU} + \theta_{ip} & 1/\theta_{ip} \\ \vdots & \vdots & \vdots & \vdots & \vdots & \vdots \\ a_{n_s 1}/\theta_{n_s 1} + \theta_{n_s p} & \cdots & a_{n_s u}/\theta_{n_s u} + \theta_{n_s p} & \cdots & a_{n_s U}/\theta_{n_s U} + \theta_{n_s p} & 1/\theta_{n_s p} \end{pmatrix} \quad (1)$$

where a_{iu} and θ_{iu} are the QAM constellation amplitude and phase of the i^{th} subcarrier and u^{th} O-OFDM symbol respectively. Also, θ_{ip} represents the phase of the i^{th} pilot symbol which is either 0 or π . To ensure real-valued signal which is a requirement for intensity modulation and direction detection (IM/DD) system [4], Hermitian symmetry is imposed on the PA O-OFDM frame \mathbf{X}_{sp} . The number of subcarriers increases from n_s to $N = 2(1 + n_s)$ as a result of the Hermitian symmetry operation. Thereafter, the PA O-OFDM frame $X^u(i)$, $i = 0, 1, 2, \dots, N - 1$, $u = 1, 2, \dots, U + 1$ is input to the G filtering blocks.

The filter vector, \mathbf{F}_g , is given as:

$$\mathbf{F}_g = \left[0, \hat{\mathbf{F}}_g(i), 0, \hat{\mathbf{F}}_g^*(N - i) \right]^T \quad i = 1, 2, \dots, n_s \quad (2)$$

where $[\cdot]^T$ denotes transpose of $[\cdot]$, $\mathbf{F}^*(\cdot)$ denotes complex conjugate of $\mathbf{F}(\cdot)$,

$$\hat{\mathbf{F}}_g(i) = \begin{cases} 1 & i = (g - 1)n_g + 1, \dots, gn_g \\ 0 & \text{otherwise} \end{cases} \quad (3)$$

for $i = 1, \dots, n_g$, and $n_g = n_s/G$ represents the number of active data-carrying subcarriers per group. Hermitian symmetry is equally ensured on the filter vectors to make sure their output maintains the Hermitian symmetric property required in O-OFDM system. The filters narrow down the band of the PA O-OFDM frame such that its output, \mathbf{X}_g , represents a distinct subset of the original frame. Thus, the filtering operation reduces the number of active subcarriers that can add up coherently to form high peaks. Filter output \mathbf{F}_g is loaded on the g^{th} IFFT to obtain time domain signal $x_g(n)$.

PAPR of an oversampled discrete time domain O-OFDM signal has been shown to accurately approximate that of a continuous time domain signal [17]. Thus, the PAPR of the continuous time domain signal, $x_g(t)$ is approximated by oversampling the PA O-OFDM frame in the frequency domain [12]. The oversampled time domain PA O-OFDM signal, $x_g(n)$, is the IFFT of \mathbf{X}_g . Thereafter, the PAPR of oversampled $x_g(n)$ defined as the ratio of the maximum instantaneous power of $x_g(n)$ to the average power of $x_g(n)$ is evaluated over the PA O-OFDM frame as [12]:

$$\text{PAPR}_{P_g} = \arg \min_{1 \leq p \leq P} \left[\frac{\max_{0 \leq n \leq (U+1)(NL-1)} |x_g(n)|^2}{E[|x_g(n)|^2]} \right], \quad (4)$$

where $E[\cdot]$ is statistical expectation.

Signal $x_g(n)$ with the minimum PAPR per group is obtained by performing P iterations of the data symbol phase rotation with different randomly generated pilot symbol phase sequence. This phase rotation changes the statistical characteristics of the data symbols within the frame in order to reduce the probability of coherent addition of subcarriers that can produce high peaks. Thus, oversampled $x_g(n)$ that gives the least PAPR after P iterations is selected to modulate the intensities of LED arrays in the g^{th} group.

Appropriate DC bias, \mathcal{B}_g is added to real-valued bipolar signal $x_g(n)$ to obtain unipolar signal, $x_{\text{dc}_g}(n)$, needed to drive the g^{th} optical modulator. It is assumed that all the \mathcal{D} LEDs have the same orientation and are placed such that they have identical gains and similar delays at the receiver [9, 18]. Thus, the system relies on spatial summation of the simultaneously transmitted group signals from the G LED groups during propagation in space. Hence, it is possible to utilise the photodetector of a PA O-OFDM receiver [4] to detect the optical signal at the receiver.

The received signal, $y_r(n)$, is proportional to the received power with additive white Gaussian noise (AWGN), $w(n)$, that is:

$$y_r(n) = \frac{\mathcal{D}}{G} \sum_{g=1}^G x_{\text{dc}_g}(n) + w(n), \quad (5)$$

1
2
3
4
5
6
7
8
9 where $x_{dc_g}(n) = x_g(n) + \mathcal{B}_g$. The process of pilot phase estimation using maximum likelihood technique and data symbol recovery at the receiver is similar to the one described in [13].
10
11
12
13

14 15 **3. Analysis of PAPR Distributions of Pilot-assisted O-OFDM System** 16 **with Grouped LEDs** 17

18 In this section, we present the distributions of PAPR of the PA O-OFDM
19 signal utilising grouped LEDs with the assumption that $x_g(n)$ follows Gaussian
20 distribution, which is true when $N \geq 64$ [19]. In practice, there are two cat-
21 egories of subcarriers in OFDM systems: the active and inactive subcarriers.
22 The data and/or pilot symbols form the active subcarriers, N_{active} , while the
23 null subcarriers represent the inactive subcarriers, N_{inactive} . The transmission
24 power is allocated to active subcarriers in order to have a power efficient sys-
25 tem [16]. According to the property of Hermitian symmetry in basic O-OFDM,
26 $X^u(0) = X^u(N/2) = 0$, making the number of inactive subcarriers relatively
27 small compared to the total number of subcarriers. Hence, it is possible to
28 assume that the total available transmission power is allocated to all N sub-
29 carriers. However, this assumption is not applicable for O-OFDM system using
30 grouped LEDs.
31
32

33 Filter output $X_g^u(i)$ is formed by filtering the original PA O-OFDM frame
34 $X^u(i)$ through \mathbf{F}_g as in (6):
35
36

$$37 \quad X_g^u(i) = \mathbf{F}_g(i)X^u(i), \quad i = 0, 1, 2, \dots, N - 1; u = 1, 2, \dots, U. \quad (6)$$

38 Assuming equal division of subcarriers among the groups, the Hermitian sym-
39 metric filter vector narrows down the number of active subcarriers per group
40 from $2n_s$ to $2n_s/G$. The analytical results established so far on PAPR distribu-
41 tions in discrete multitone (DMT) signal [19] and PA O-OFDM without grouped
42 LEDs [20] are obtained based on the assumption that all subcarriers are fully
43 used as active ones. Thus, it is very important to accurately identify the PAPR
44 distribution in O-OFDM systems where the number of inactive subcarriers are
45 large relative to the total subcarriers.
46
47
48
49
50
51
52
53
54
55
56
57

Assuming that N_{active} is large enough, it then follows that the instantaneous power of the $x_g(n)$ samples is also Gaussianly distributed [19]. In addition, we assume that active subcarriers have equal power allocation, such that, the power allocated to the i^{th} subcarrier, $\epsilon_i = E[|X_g^u(i)|^2] \approx \rho E[|x_g(n)|^2]$, where $\rho \leq N/N_{\text{inactive}}$ for a maximum transmit power constraint. Using these assumptions and the extreme value theory [16, 19], we obtain the cumulative distribution function (CDF) of a single basic O-OFDM symbol in grouped LEDs system as:

$$F_Y(y) = \exp \left[-\sqrt{\frac{4\rho}{3N}(2n_g^3 + 3n_g^2 + n_g)} e^{-y/2} \right], \quad (7)$$

where $F_Y(\cdot)$ is the CDF, $N = N_{\text{active}} + N_{\text{inactive}} = 2(n_s + 1)$, $n_g = n_s/G$ and $N_{\text{active}} = 2(n_s/G) = 2n_g$. The derivation of (7) can be extended to cases where active subcarriers have unequal power allocation. Thereafter, we obtain the distribution of PAPR of a single PA O-OFDM frame with the fact that the $U + 1$ symbols in the frame have at least $U + 1$ distinct maximum peaks. Thus, we use the *maximum* order statistics [20] and (7) to derive the CDF of PAPR for a PA O-OFDM frame as:

$$F_{Y_{(U_p)}}(y) = \exp \left[-U_p \sqrt{\frac{4\rho}{3N}(2n_g^3 + 3n_g^2 + n_g)} e^{-y/2} \right], \quad (8)$$

where $U_p = U + 1$. Furthermore, the P iterations of pilot symbol phase rotation with data symbols result in P distinct PA O-OFDM frames. Hence, we use the *minimum* order statistics [20] and (8) to analyse the PA O-OFDM frame that gives the least PAPR. Thus, we obtain the CCDF of the PA O-OFDM frame with the least PAPR as:

$$P_{c_g}(y) = \left(1 - e^{-U_p \sqrt{\frac{4\rho}{3N}(2n_g^3 + 3n_g^2 + n_g)} e^{-y/2}} \right)^P. \quad (9)$$

P_{c_g} is the probability of the PAPR of $x_g(n)$ exceeding y .

4. Results and Discussion

In this section, we conduct computer simulations to validate the proposed analytical CCDF of PAPR in PA O-OFDM systems utilising grouped LEDs. In

the computer simulations, an oversampling factor of $L = 4$ is used in order to obtain approximate PAPR of a continuous time O-OFDM signal and constellation size of 4-QAM is utilised. In this work, perfect synchronization is assumed at the receiving end.

Figure 2 shows the CCDF plot of PAPR for basic and PA O-OFDM system using $P = 5$, $U_p = 6$, $G = 2$, $n_g = 48$ and $N = 194$. The accuracy of the derived expression for CCDF of PAPR in (9) is verified by comparison with simulations and presented in this figure. Simulation results show a near-perfect agreement with those obtained using (9) with a gap of about 0.1 dB due to approximate Gaussianity.

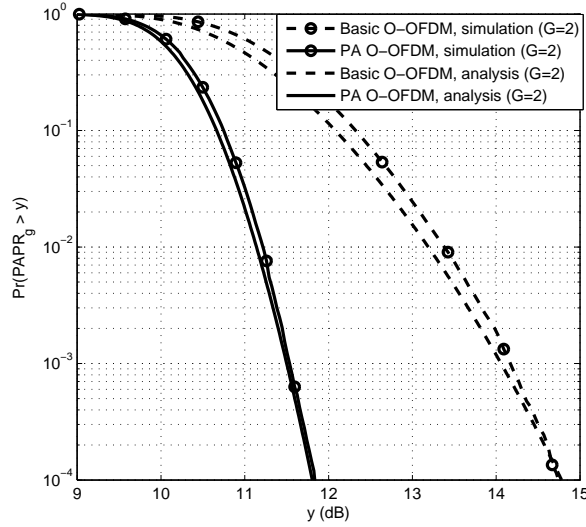


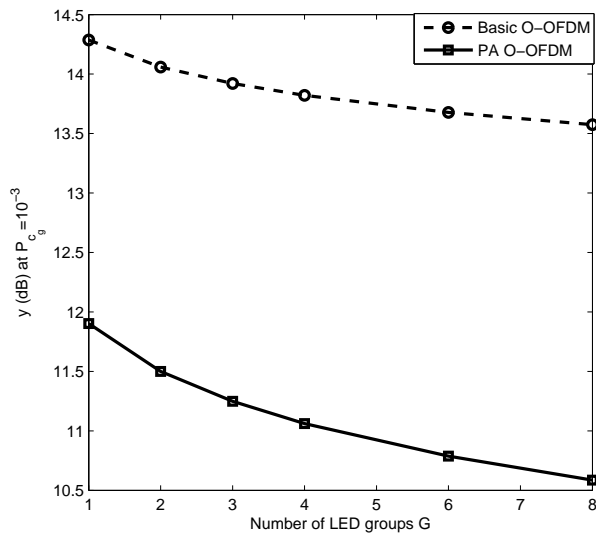
Figure 2: CCDF of PAPR plot for basic and PA O-OFDM signal using $U_p = 6$, $P = 5$, $G = 2$, $n_g = 48$, $D = 96$ and $N = 194$.

The threshold PAPR can be obtained from (9) as:

$$y^{(P)}(\text{dB}) = 10 \log_{10} \left[-2 \ln \left(-\frac{\ln(1 - P_{c_g}^{1/P})}{U_p \sqrt{\frac{4\rho(2n_g^3 + 3n_g^2 + n_g)}{3N}}} \right) \right]. \quad (10)$$

For specific CCDF, (10) gives an idea of G required to achieve a desirable PAPR when P , N and U_p are known. Thus, Figure 3 shows a plot of threshold PAPR

1
 2
 3
 4
 5
 6
 7
 8
 9 against G for basic and PA O-OFDM with $P = 5$, $N = 194$ and $P_{c_g} = 10^{-3}$.
 10 The plot reflects the capability of the PA technique to reduce the number of LED
 11 drivers required in O-OFDM system utilising grouped LEDs. The advantage of
 12 using multiple LED groups is shown for both basic and PA O-OFDM system
 13 because there is decrease in threshold PAPR as G increases. More importantly,
 14 comparing the difference in γ at every G shows the PAPR reduction capability of
 15 the PA technique. For instance, the PAPR reduction gain with the PA technique
 16 when $G = 3$ is about 2.7 dB. Furthermore, it can be observed that $G = 8$ in the
 17 basic O-OFDM can only reduce the PAPR to about 13.6 dB whereas the PA
 18 O-OFDM with just $G = 2$ is capable of reducing the PAPR to approximately
 19 11.5 dB. This implies that the PA technique can be implemented to limit the
 20 hardware complexity arising from use of several LED drivers in the system while
 21 having a signal that is less susceptible to clipping due to the limited dynamic
 22 range of LEDs.
 23
 24
 25
 26
 27
 28
 29
 30
 31
 32



33
 34
 35
 36
 37
 38
 39
 40
 41
 42
 43
 44
 45
 46
 47
 48
 49
 50
 51
 52 Figure 3: Analytical plot of threshold PAPR against different values of G with P_{c_g} of 10^{-3}
 53 for basic and PA O-OFDM using $P = 5$, $U_p = 6$, $\mathcal{D} = 96$ and $N = 194$.
 54
 55

56 In Figure 4, we compare the error performance of basic and PA system with
 57
 58
 59
 60
 61
 62
 63
 64
 65

and without grouped LEDs to investigate the effect of clipping induced noise on the O-OFDM signal with high peak values. The normalised upper, C_{c_u} , and lower clipping levels, C_{c_l} are defined as: $C_{c_u} = c_u \sigma_x$ and $C_{c_l} = -c_l \sigma_x$, where c_u and c_l are unitless coefficients that determine the severity of clipping experienced by the signal. For the purpose of illustration, the levels are set to $c_u = c_l = 1$ and $\sigma_x = 250$ mA. Other parameters used are $B_g = 250$ mA for system with $G = 1$ while $B_g = 40$ mA for system with $G = 3$. As expected, the O-OFDM signals with $G = 1$ are more susceptible to clipping than those with $G = 3$. However, less clipping distortion is observed in PA O-OFDM with $G = 1$ due to the peak reduction capability of the PA technique but the basic O-OFDM signal with $G = 1$ has error floor at about bit error rate (BER) of 2×10^{-4} . Furthermore, the comparison between the basic and PA O-OFDM signal with $G = 3$ also shows that the PA O-OFDM requires less optical SNR to achieve target BER than the basic O-OFDM with grouped LEDs.

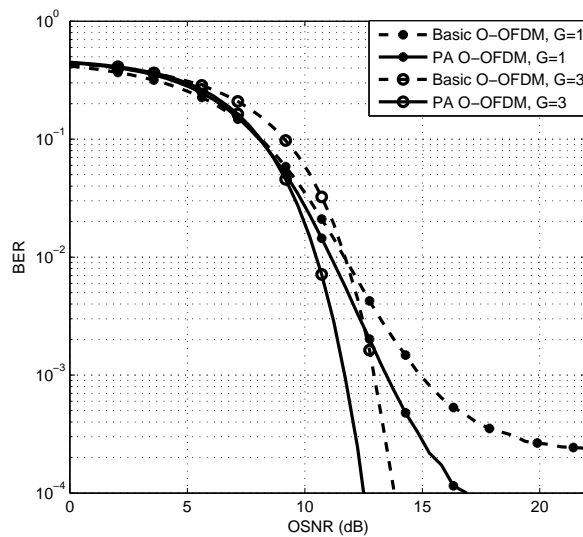


Figure 4: Plot showing the BER performance of basic and PA O-OFDM system with and without grouped LEDs using $U_p = 6$, $P = 5$, $G = \{1, 3\}$, $D = 96$, $N = 194$ and 4-QAM.

1
2
3
4
5
6
7
8
9 **5. Conclusion**

10
11 In this paper, we have presented the quantitative analysis of PAPR dis-
12 tributions of the PA technique in O-OFDM utilising grouped LEDs. The PA
13 technique gives further PAPR reduction while minimising the required num-
14 ber of transmit chains in the system. When compared with simulation results,
15 the theoretical results obtained by applying order statistics show nearly-perfect
16 match. The use of PA technique in spatial domain O-OFDM with grouped LEDs
17 provides opportunity for a system design with less hardware complexity, but at
18 the expense of increased computational complexity at the transmitter. Hence,
19 this theoretical study provides a fast and efficient means of determining the
20 trade-off between the PAPR reduction gain required, computational complexity
21 and hardware complexity of the system.
22
23
24
25
26
27
28
29

30 **Acknowledgements**

31
32 Portions of this work were presented at the 10th IEEE/IET International
33 Symposium on Communication Systems, Networks and Digital Signal Process-
34 ing (CSNDSP) and IEEE International Conference on Communications (ICC)
35 workshop in 2016.
36
37
38
39

40 **References**

- 41
42 [1] Cisco Visual Networking Index, Global mobile data traffic forecast, 2011-
43 2016 (2012).
44
45 [2] Z. Ghassemlooy, W. Popoola, S. Rajbhandari, Optical Wireless Communi-
46 cations: System and Channel Modelling with MATLAB , CRC Press, Boca
47 Raton, USA, 2012.
48
49 [3] H. Chun, S. Rajbhandari, G. Faulkner, D. Tsonev, E. Xie, J. McKendry,
50 E. Gu, M. Dawson, D. C. O'Brien, H. Haas, LED based Wavelength Divi-
51 sion Multiplexed 10 Gb/s Visible Light Communications, Journal of Light-
52 wave Technology 34 (13) (2016) 3047–3052.
53
54
55
56
57
58
59
60
61
62
63
64
65

- 1
2
3
4
5
6
7
8
9 [4] W. O. Popoola, Z. Ghassemlooy, B. G. Stewart, Pilot-Assisted PAPR Reduction Technique for Optical OFDM Communication Systems, *Journal of Lightwave Technology* 32 (7) (2014) 1374–1382.
10
11
12
13
14 [5] H. Elgala, R. Mesleh, H. Haas, Non-linearity Effects and Predistortion in
15 Optical OFDM Wireless Transmission Using LEDs, *International Journal of Ultra Wideband Communications and Systems (IJUWBCS)* 1 (2) (2009)
16 143–150.
17
18
19 [6] F.-n. Chen, Z.-p. Wang, A post-coding scheme for peak-to-average power
20 ratio reduction in intensity modulated optical OFDM systems, *Optoelectronics Letters* 10 (2014) 295–298.
21
22
23 [7] T. Zhang, Z. Ghassemlooy, C. Ma, S. Guo, PAPR reduction scheme for
24 ACO-OFDM based visible light communication systems, *Optics Communications* 383 (2017) 75–80.
25
26
27 [8] H. Dong, H. Zhang, k. Lang, B. Yu, M. Yao, OFDM Visible Light Commu-
28 nication Transmitter Based on LED Array, *Chinese Optics Letters* 12 (5)
29 (2014) 052 301–1–4.
30
31
32 [9] M. Mossaad, S. Hranilovic, L. Lampe, Visible Light Communications Using
33 OFDM and Multiple LEDs, *IEEE Transactions on Communications* 63 (11)
34 (2015) 4304–4313.
35
36
37 [10] B. Yu, H. Zhang, L. Wei, J. Song, Subcarrier Grouping OFDM for Visible-
38 Light Communication Systems, *IEEE Photonics Journal* 7 (5) (2015) 1–12.
39
40
41 [11] R. Lenk, C. Lenk, *Practical Lighting Design with LEDs*, Hoboken, NJ,
42 USA: Wiley, 2011.
43
44
45 [12] F. B. Ogunkoya, W. O. Popoola, S. Sinanović, Pilot-assisted PAPR Re-
46 duction Technique for O-OFDM Using Multiple LEDs in VLC Systems, in:
47 *IEEE International Conference on Communications (ICC'16) Workshop*,
48 Kuala Lumpur, Malaysia, 2016, pp. 1–6.
49
50
51
52
53
54
55
56
57
58
59
60
61
62
63
64
65

- 1
2
3
4
5
6
7
8
9 [13] F. Ogunkoya, W. Popoola, S. Sinanović, PAPR Reduction in Optical
10 OFDM with Grouped LEDs, in: 10th IEEE/IET International Symposi-
11 sium on Communication Systems, Networks and Digital Signal Processing
12 (CSNDSP), Prague, Czech Republic, 2016, pp. 1–6.
13
14
15
16 [14] F. B. Offiong, S. Sinanovic, W. Popoola, On PAPR Reduction in Pilot-
17 Assisted Optical OFDM Communication Systems, *IEEE Access* 5 (2017)
18 8916 – 8929.
19
20
21 [15] H.-C. Yang, M.-S. Alouini, Order statistics in wireless communications:
22 diversity, adaptation, and scheduling in MIMO and OFDM systems, Cam-
23 bridge University Press, 2011.
24
25
26 [16] T. Jiang, M. Guizani, H.-H. Chen, W. Xiang, Y. Wu, Derivation of PAPR
27 distribution for OFDM wireless systems based on extreme value theory,
28 *IEEE Transactions on Wireless Communications* 7 (4) (2008) 1298–1305.
29
30
31
32 [17] K. Wong, M.-O. Pun, H. Poor, The Continuous-Time Peak-to-Average
33 Power Ratio of OFDM Signals Using Complex Modulation Schemes, *IEEE*
34 *Transactions on Communications* 56 (9) (2008) 1390–1393.
35
36
37
38 [18] T. Fath, C. Heller, H. Haas, Optical wireless transmitter employing discrete
39 power level stepping, *Journal of Lightwave Technology* 31 (11) (2013) 1734–
40 1743.
41
42
43 [19] H. Yu, M. Chen, G. Wei, Distribution of PAR in DMT systems, *Electronics*
44 *Letters* 39 (10) (2003) 799–801.
45
46
47 [20] F. Ogunkoya, W. Popoola, A. Shahrabi, S. Sinanovic, Performance Evalu-
48 ation of Pilot-assisted PAPR Reduction Technique in Optical OFDM Sys-
49 tems, *IEEE Photonics Technology Letters* 27 (10) (2015) 1088–1091.
50
51
52
53
54
55
56
57
58
59
60
61
62
63
64
65